

## 57BID-BLDC Motor /12V Driver

### • General Specifications

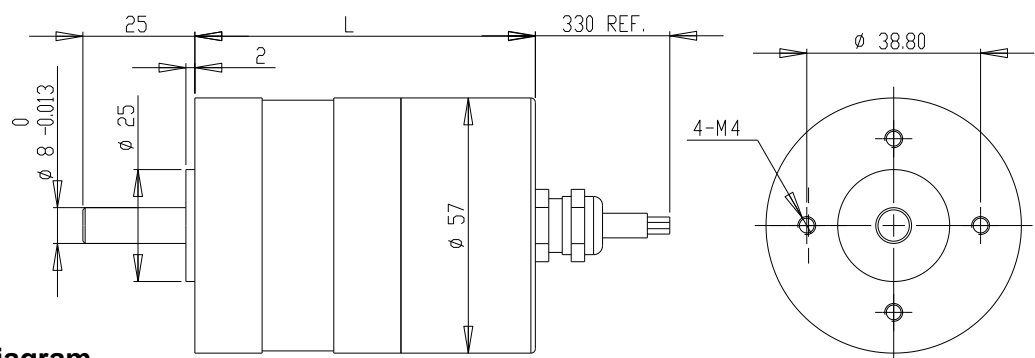
Winding connection	STAR
Sensor position	120°
Insulation Class	B
Ambient temperature	-20°C~+50°C
Insulation resistance	100MΩ Min.500V DC
Dielectric strength	500V AC 1minute



### • Electrical Specifications

Model	SEI	57BID71-1230	57BID76-1230	57BID86-1230	57BID96-1230
	Factory	57BID01-12	57BID02-12	57BID03-12	57BID04-12
Nominal voltage	Vdc	12	12	12	12
Rated speed	RPM	3000	3000	3000	3000
Rated Torque	N.m	0.057	0.11	0.165	0.22
Rated Current	Amps	1.2	2.3	3	4.4
Output Power	Watts	15	34	52	69
Peak Torque	N.m	0.18	0.38	0.58	0.8
Peak Current	Amps	3.6	6.8	9	13.2
Torque constant	N.m/A	0.074	0.059	0.06	0.062
Back EMF	V/krpm	7.75	6.2	6.3	6.5
Rotor inertia	g·cm <sup>2</sup>	32	42	58	72
Body Length (L)	mm	71	76	86	96
Mass	Kg	0.6	0.7	0.85	0.95
Number of Poles & Phases		4 poles / 3 phases			

### • Mechanical Dimensions



### • Wiring Diagram

