

63ZXX / 31WJ6N WORM GEAR DC MOTOR

● WORM GEAR REDUCER SPECIFICATIONS

Reduction Ratio	10	15	24	38	50	75
-----------------	----	----	----	----	----	----

● PM DC MOTOR SPECIFICATIONS

Model	Rated Voltage	No Load		Rated(额定)						Motor Length
		Speed	Current	Speed	Current	Torque		Power	Eff.	
	Vdc	RPM	Amp	RPM	Amp	oz-in	mNm	W	%	mm
63ZYT100-24-38	24	3800	0.6	3000	2.4	18.0	127	40	69.3	100
63ZYT100-24-44	24	4400	0.85	3400	4.8	33.5	237	84	73.1	100

● BLDC MOTOR SPECIFICATIONS

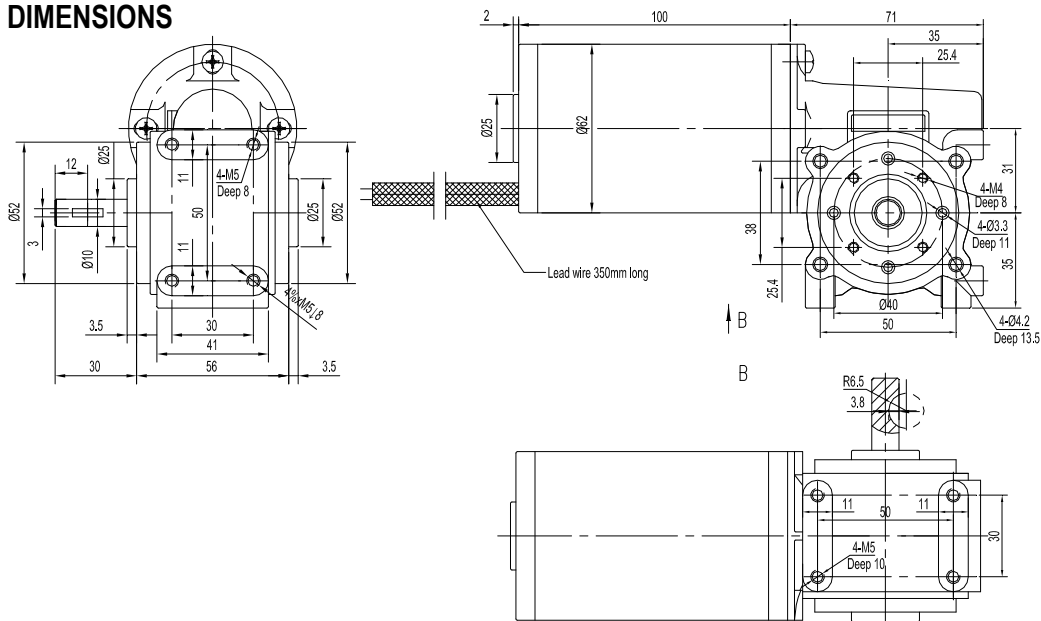
Model	Number of Poles	Number of Phase	Rated							Motor Length
			Voltage	Current	Speed	Torque		Power	Efficiency	
			Vdc	Amp	RPM	oz-in	mN.m	W	%	
63ZWN100-24-29	8	3	24	6.30	2860	47.28	334	100	66%	100

● WORM GEARMOTOR SPECIFICATIONS:

$$Y[\text{in-lb}]=8.85075 \times X[\text{Nm}]$$

Motor Model	Reduction Ratio	10	15	26	36	50	75
	Efficiency %	80	76	73	70	57	53
63ZYT100-24-38	No-load speed (RPM)	380	253	158	100	76.0	50.7
	Rated speed (RPM)	300	200	125	79	60.0	40.0
	Rated load (N.m)	1.0	1.4	2.2	3.4	3.6	5.0
63ZYT100-24-44	No-load speed (RPM)	440	293	183	116	88.0	58.7
	Rated speed (RPM)	340	227	142	89	68.0	45.3
	Rated load (N.m)	1.9	2.7	4.2	6.3	6.8	9.4
63ZWN100-24-29	Rated speed (RPM)	286	191	119	75	57.2	38.1
	Rated load (N.m)	2.7	3.8	5.9	8.9	9.5	13.3

● DIMENSIONS



● Production Number Code for Worm Gear Head

31	-	WJ	6	N	50G
Size Center Distance		Gearhead Type WJ= WORM	Max. Load 6 = 6 Unit	Torque Unit N = N.m	Gear Ratio 50= 50:1