

**76ZYT / 48WJ10N WORM GEAR DC MOTOR**

● **WORM GEAR REDUCER SPECIFICATIONS**

Reduction Ratio: 26:1 standard; Optional 10, 15, 36, 50, 75

● **PM DC MOTOR SPECIFICATIONS**

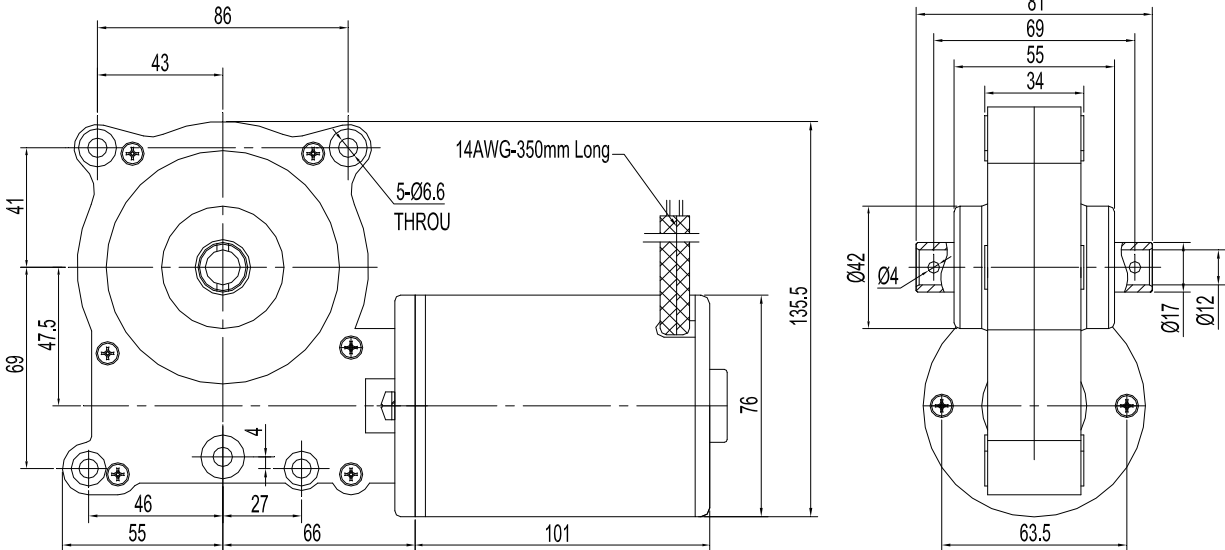
Model	Rated Voltage	No Load		Rated(额定)						Motor Length
		Speed	Current	Speed	Current	Torque		Power	Eff.	
	Vdc	RPM	Amp	RPM	Amp	oz-in	mNm	W	%	mm
L76ZYT108-12-25	12	2500	0.6	2000	7.8	34	240	50	53.7	108
L76ZYT108-24-25	24	2500	0.3	2000	3.6	34	240	50	58.2	108
L76ZYT108-24-36	24	3600	0.5	3000	4.1	26	184	58	58.6	108

● **WORM GEARMOTOR SPECIFICATIONS:**

$Y[in-lb]=8.85075 \times X[Nm]$

Motor Model	Reduction Ratio	10	15	26	36	50	75
		Efficiency %	80	76	73	70	57
L76ZYT108-12-25	No-load speed (RPM)	250	167	104	66	50.0	33.3
	Rated speed (RPM)	200	133	83	53	40.0	26.7
	Rated load (N.m)	1.9	2.7	4.2	6.4	6.9	9.7
L76ZYT108-24-25	No-load speed (RPM)	250	167	104	66	50.0	33.3
	Rated speed (RPM)	200	133	83	53	40.0	26.7
	Rated load (N.m)	1.9	2.7	4.2	6.4	6.9	9.7
L76ZYT108-24-36	No-load speed (RPM)	360	240	150	95	72	48
	Rated speed (RPM)	300	200	125	79	60.0	40.0
	Rated load (N.m)	1.5	2.1	3.2	5.0	5.3	7.4

● **DIMENSIONS**



● **Product Code for Worm Gear Reducer**

