

## 86BLW Brushless DC Positional Wheel Motor

### Features:

- 80/100 Watt Direct drive BLDC wheel motor
- 1000 CPR Internal encoder (Quadrature ,TTL)
- High efficiency: 81% Max.
- Internal thermistor 68K $\Omega$
- Three hall sensors (120°)
- Optional Single or double shaft
- High torque/Low speed



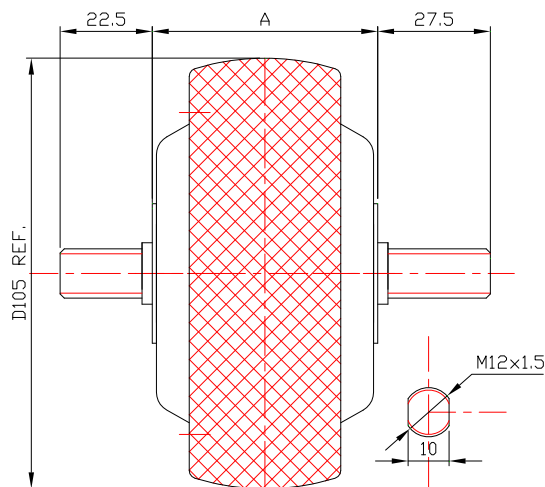
### Specifications:

Model		86BLW80		86BLW100	
Rated Voltage	V	24	36	24	36
No load Speed	RPM	800	800	800	800
No Load Current	A	0.6	0.6	0.7	0.7
Rated Speed	RPM	600	600	600	600
Rated Torque	NM	1.27	1.27	1.59	1.59
Rated Power	W	80	80	100	100
Rated Current	A	4.7	3	5.9	3.8
Efficiency	%	71	73	71	73
Torque constant	Nm/Amp	0.3	0.47	0.3	0.47
Motor Width A	mm	58.5		68.5	
Number of poles	#	20			

### Product Code

86                      BLW                      80                      -                      24                      800  
 Size                      BL Wheel                      Power                      Voltage                      Speed

### Dimensions: Double Shaft



### Single Shaft

