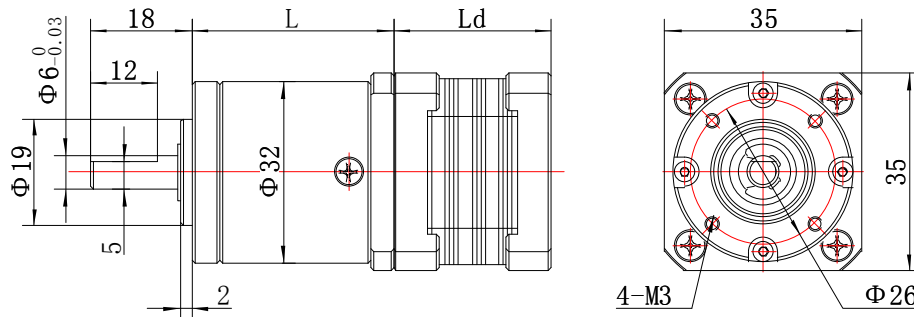


32PA/35BYG PLANET GEAR STEPPER MOTOR

- Housing Material: Metal
- Backlash at No-Load: $\leq 1^\circ$
- Bearing at Output: Ball or Sleeve
- Permissible Overhung Load: $\leq 2.5\text{kg}$
- Permissible Thrust Load: $\leq 0.5\text{kg}$
- Max. Radial Play: $\leq 0.05\text{mm}$
- Max. Thrust Play: $\leq 0.3\text{mm}$



● Mechanical Dimensions



● Gear Box Data

Reduction Ratio	X:1	3.71	5.18	13.764	19.217	26.832	51.065	71.298	99.548	138.99
Number of gear trains	#	1	1	2	2	2	3	3	3	3
Max Permissible Torque	kg.cm	20	20	30	30	30	40	40	40	40
Moment Permissible Torque	kg.cm	40	40	50	50	50	60	60	60	60
Gear Box Length	mm	29	29	36.8	36.8	36.8	44.6	44.6	44.6	44.6

● Motor Specifications

Model	Step Angle	Length (Ld)	Phase Voltage	Phase Current	Phase Resistance	Phase Inductance	Holding Torque	Lead Wire
	°	mm	V	A	Ω	mH	g.cm	#
35BYGH20(M)-073-4A/B	0.9/1.8	20	6.57	0.73	9	4	600	4
35BYGH20(M)-040-4A/B	0.9/1.8	20	10.8	0.40	27	17	600	4
35BYGH26(M)-075-4A/B	0.9/1.8	26	3.23	0.75	4.3	4	700	4
35BYGH28(M)-058-4A/B	0.9/1.8	28	7	0.58	13	9.5	1000	4
35BYGH28(M)-100-4A/B	0.9/1.8	28	3.5	1.00	3.5	3.5	1000	4
35BYGH34(M)-050-6A/B	0.9/1.8	34	11	0.50	22	12	1000	6

Replace □ with A = single shaft; replace □ with B = double shaft

Product Code:

32	PA	19	G	/	35	BYG	32	-	067	-	4	A
Size	Type	Ratio	Bearing		Size	Type	Length		Current		# leads	Shaft
32mm	Planetary	19:1	Ball		35mm	Hybrid	32mm		0.67A		4	single