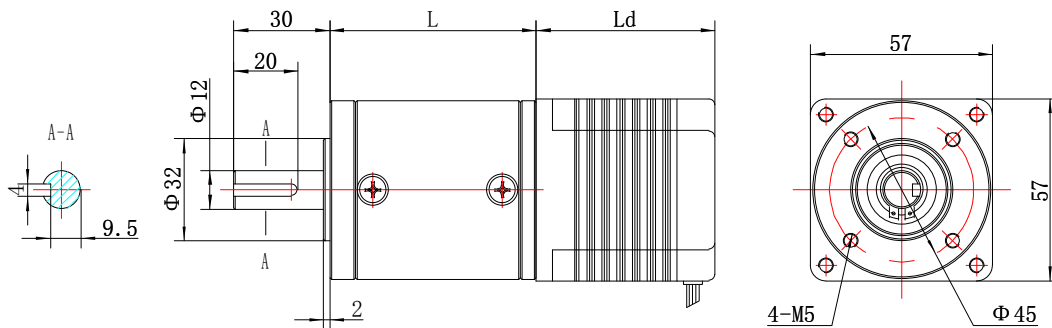


## 52PA/57BYG PLANET GEAR STEPPER MOTOR

- Housing Material: Metal
- Backlash at No-Load:  $\leq 1^\circ$
- Bearing at Output: Ball or Sleeve
- Permissible Overhung Load:  $\leq 2.5\text{kg}$
- Permissible Thrust Load:  $\leq 0.5\text{kg}$
- Max. Radial Play:  $\leq 0.05\text{mm}$
- Max. Thrust Play:  $\leq 0.3\text{mm}$



### ● Mechanical Dimensions



### ● Gear Box Data

Reduction Ratio	X:1	4	8	16	25	36	50	64	72	81	100	128	144	200
Number of gear trains	#	1	1	2	2	2	2	2	3	3	3	3	3	3
Max Permissible Torque	kg.cm	100	100	200	200	200	30	200	300	300	300	300	300	300
Moment Permissible Torque	kg.cm	150	150	300	300	300	300	300	450	450	450	450	450	450
Gear Box Length	mm	49.5	49.5	64.5	64.5	64.5	64.5	64.5	79.5	79.5	79.5	79.5	79.5	79.5

### ● Motor Specifications

Model	Step Angle	Length (Ld)	Phase Voltage	Phase Current	Phase Resistance	Phase Inductance	Holding Torque	Lead Wire
	°	mm	V	A	$\Omega$	mH	kg.cm	#
57BYGH41(M)-144-4A/B	1.8/0.9	41	4.1	1.44	2.85	5.4	4	4
57BYGH51(M)-144-4A/B	1.8/0.9	51	4.74	1.44	3.3	8.2	9	4
57BYGH56(M)-100-6A/B	1.8/0.9	56	7	1.00	7.6	10	9	6
57BYGH56(M)-280-4A/B	1.8/0.9	56	2.52	2.80	0.9	2.5	12.5	4
57BYGH76(M)-200-6A/B	1.8/0.9	76	5	2.00	2.25	3.6	13.5	6
57BYGH76(M)-280-4A/B	1.8/0.9	76	3.16	2.80	1.13	3.6	18.9	4

Replace □ with A = single shaft; replace □ with B = double shaft

### Product Code:

<b>52</b>	<b>PA</b>	<b>25</b>	<b>G</b>	/	<b>57</b>	<b>BYG</b>	<b>41</b>	-	<b>144</b>	-	<b>4</b>	<b>A</b>
Size	Type	Ratio	Bearing		Size	Type	Length		Current		# leads	Shaft
56mm	Planetary	25:1	Ball		57mm	Hybrid	41mm		1.44A		4	single