

## 1.8° Size 34 High Torque Hybrid Motors

- General Specification for Hybrid Step Motors

Item	Specifications
Step Angle Accuracy	± 5% (full step, no load)
Resistance Accuracy	± 10%
Inductance Accuracy	± 20%
Temperature Rise	80°C Max. (rated current, 2 phase on)
Ambient Temperature	- 10°C ~ +50°C
Insulation Resistance	100 MΩ Min., 500 VDC
Dielectric Strength	500 VAC for one minute
Shaft Radial Play	0.06 Max. (450 g-load)
Shaft Axial Play	0.08 Max. (450 g-load)

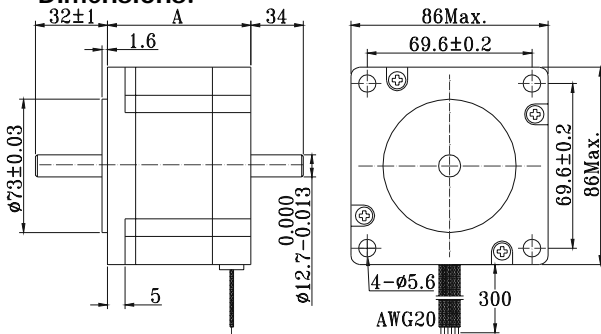


- Size 34 High Torque Stepping Motor Specifications

Model No.	# of Lead	Connection			PER PHASE			Holding Torque		Detent torque N.m	Rotor Inertia g-cm <sup>2</sup>	Weight Kg
					Current	Resistance	Inductance	Oz-in	N.m			
		Uni-Polar	Bi-Polar		A	W	MH					
34H240H-300-6A/B	6	*			3.0	1.14	3.1	283	2.0	0.1	1000	1.7
34H240H-210-4A/B	4		S		2.1	2.28	12.4	397	2.8			
34H240H-420-4A/B	4			P	4.2	0.57	3.1	397	2.8			
34H310H-300-6A/B	6	*			3.0	1.6	13.6	453	3.2	0.13	1400	2.4
34H310H-210-4A/B	4		S		2.1	3.2	54.4	634	4.48			
34H310H-420-4A/B	4			P	4.2	0.8	13.6	634	4.48			
34H310H-600-4A/B	4		S		6.0	0.4	3.4	634	4.48			
34H310H-300-4A/B	4		S		3.0	1.6	13.6	634	4.48	0.25	2700	4.0
34H460H-300-6A/B	6	*			3.0	2.08	12.2	821	5.8			
34H460H-210-4A/B	4		S		2.1	4.16	48.8	1150	8.12			
34H460H-420-4A/B	4			P	4.2	1.04	12.2	1150	8.12			
34H460H-600-4A/B	4		S		6.0	0.55	6.2	1150	8.12			
34H460H-300-4A/B	4		S		3.0	2.2	24.8	1150	8.12	0.4	4000	5.5
34H610H-300-6A/B	6	*			5.0	0.9	7.5	1204	8.5			
34H610H-210-4A/B	4		S		3.5	1.8	30.0	1685	11.9			
34H610H-420-4A/B	4			P	7.0	0.45	7.5	1685	11.9			
34H610H-600-4A/B	4		S		6.0	0.75	9.5	1685	11.9	0.4	4000	5.5
34H610H-300-4A/B	4		S		3.0	3	38.0	1685	11.9			

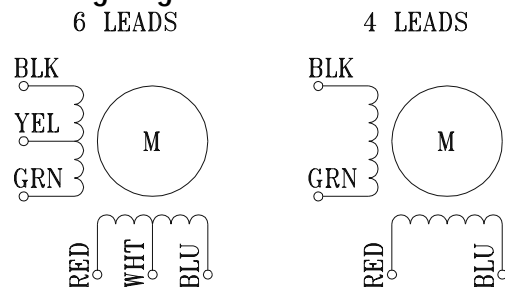
Notes: Uni-P. = Uni-Polar; S = Series; P = Parallel

- Dimensions:



Model #	A		Model #	A	
	Inches	mm		Inches	mm
34H240H	2.36	60	34H460H	4.60	117
34H310H	3.07	78	34H610H	6.14	156

- Wiring Diagram



- Motor modification options

Motor : Special length, Windings, Bearings, & Threads

Shaft : Flat, Pinion, Keyway, Size, Length

Lead wire: Type, Color, Length, Connector Installation