

28BLY-Brushless DC Motor:

- General Specifications**

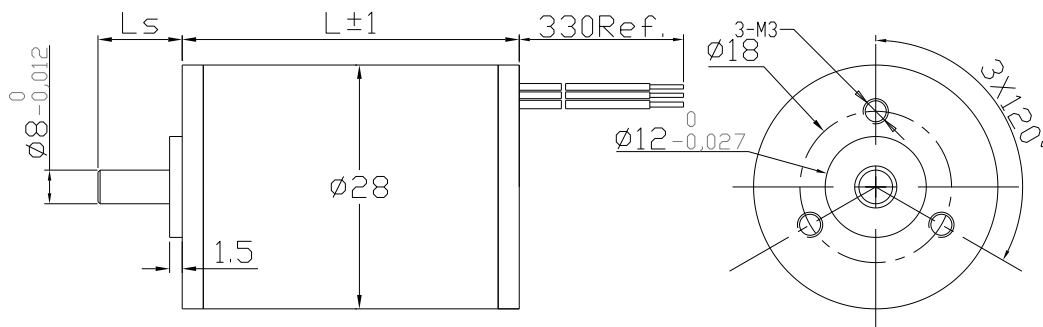
Winding connection	STAR
Sensor position	120°
Insulation Class	B
Ambient temperature	-20°C~+50°C
Insulation resistance	100MΩ Min.500V DC
Dielectric strength	500V AC 1minute



- Electrical Specifications**

Model	SEI	28BLY41-1230	28BLY53-2430	28BLY78-2430
	Factory	28BL01	28BL02	28BL03
Nominal voltage	Vdc	12	24	24
Rated speed	RPM	3000	3000	3000
Rated Torque	N.m	0.015	0.03	0.05
Rated Current	Amps	0.9	1	1.5
Output Power	Watts	4.7	9.5	15
Peak Torque	N.m	0.045	0.09	0.15
Peak Current	Amps	2.7	3	4.5
Torque constant	N.m/A	0.035	0.058	0.057
Back EMF	V/krpm	3.37	6.1	6.1
Rotor inertia	g·cm ²	1.5	2.5	6
Body Length (L)	mm	40.5	53	78
Mass	Kg	0.08	0.1	0.3
Number of Poles & Phases		4 poles / 3 phases		

- Mechanical Dimensions:**



- Wiring Diagram**

