

42BLF-Brushless DC Motor:

• **General Specifications:**

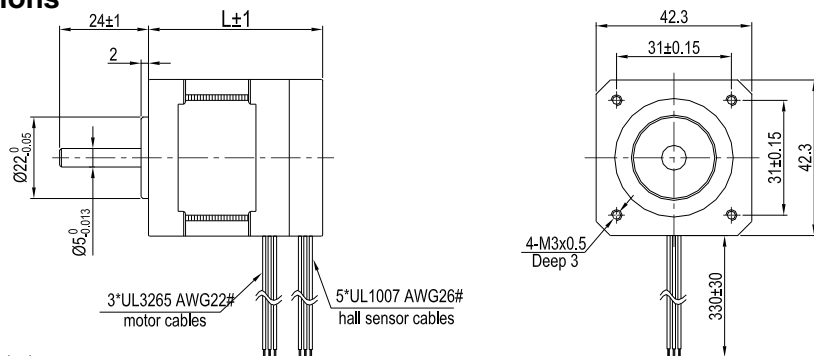
Winding connection	STAR
Sensor position	120°
Insulation Class	B
Ambient temperature	-20°C~+50°C
Insulation resistance	100MΩ Min.500V DC
Dielectric strength	500V AC 1minute



• **Electrical Specifications**

Model	SEI	42BLF47-2440	42BLF63-2440	42BLF79-2440
	Factory	42BLF01	42BLF02	42BLF03
Nominal voltage	Vdc	24	24	24
Rated speed	RPM	4000	4000	4000
Rated Torque	N.m	0.063	0.125	0.188
Rated Current	Amps	1.9	3.4	5.7
Output Power	Watts	26	52	78
Peak Torque	N.m	0.18	0.38	0.75
Peak Current	Amps	5.7	10.2	18
Torque constant	N.m/A	0.035	0.036	0.036
Back EMF	V/krpm	3.7	3.8	3.8
Rotor inertia	g·cm ²	24	48	72
Body Length (L)	mm	47	63	79
Mass	Kg	0.33	0.48	0.63
Number of Poles & Phases		8 poles / 3 phases		

• **Mechanical Dimensions**



• **Wiring Diagram(接线图)**

