

42BLFX-Brushless DC Motor:

• General Specifications

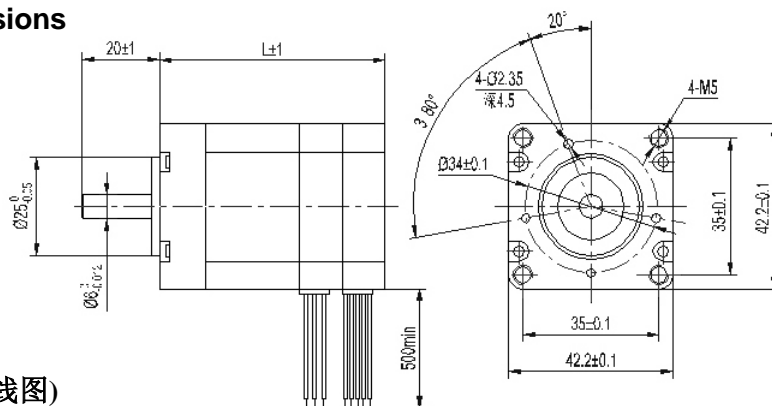
Winding connection	STAR
Sensor position	120°
Insulation Class	B
Ambient temperature	-20°C~+50°C
Insulation resistance	100MΩ Min.500V DC
Dielectric strength	500V AC 1minute



• Electrical Specifications

Model	SEI	42BLFX59-4840	42BLX84-4840	42BLFX84-2440
	Factory	42BLFX01	42BLFX02	42BLFX02A
Nominal voltage	Vdc	48	48	24
Rated speed	RPM	4000	4000	4000
Rated Torque	N.m	0.12	0.2	0.2
Rated Current	Amps	1.2	2.1	4.3
Output Power	Watts	50	84	84
Peak Torque	N.m	0.36	0.6	0.6
Peak Current	Amps	3.6	6.3	6.3
Torque constant	N.m/A	0.108	0.104	0.052
Back EMF	V/krpm	11.3	10.9	5.5
Rotor inertia	g·cm ²	62	123	123
Body Length (L)	mm	59	84	84
Mass	Kg	0.35	0.5	0.5
Number of Poles & Phases		8 poles / 3 phases		

• Mechanical Dimensions



• Wiring Diagram(接线图)

