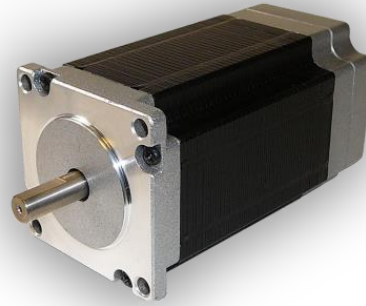


57BLF-Brushless DC Motor:

• General Specifications

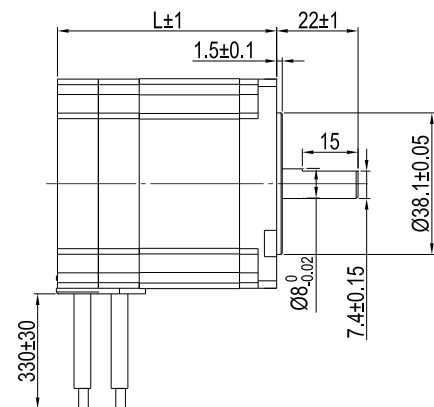
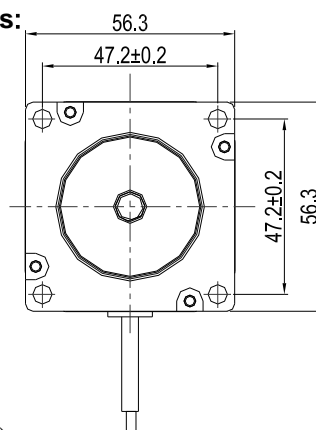
Winding connection	STAR
Sensor position	120°
Insulation Class	B
Ambient temperature	-20°C~+50°C
Insulation resistance	100MΩ Min.500V DC
Dielectric strength	500V AC 1minute



• Electrical Specifications

Model	SEI	57BLF59-2430	57BLF80-2430	57BLF101-2430	57BLF122-3630
	Factory	57BLF01	57BLF02	57BLF03	57BLF04
Nominal voltage	Vdc	24	24	24	36
Rated speed	RPM	3000	3000	3000	3000
Rated Torque	N.m	0.2	0.4	0.6	0.8
Rated Current	Amps	4	7.8	12	15
Output Power	Watts	63	125	188	250
Peak Torque	N.m	0.6	1.2	1.8	2.4
Peak Current	Amps	12	23.5	36	45
Torque constant	N.m/A	0.065	0.066	0.066	0.066
Back EMF	V/krpm	6.23	6.3	6.3	6.3
Rotor inertia	g·cm ²	120	170	220	270
Body Length(L)	mm	59	80	101	122
Mass	Kg	0.65	1	1.4	2
Number of Poles & Phases	4 poles / 3 phases				

• Mechanical Dimensions:



• Wiring Diagram(接线图)

