

86BLF-Brushless DC Motor:

• **General Specifications**

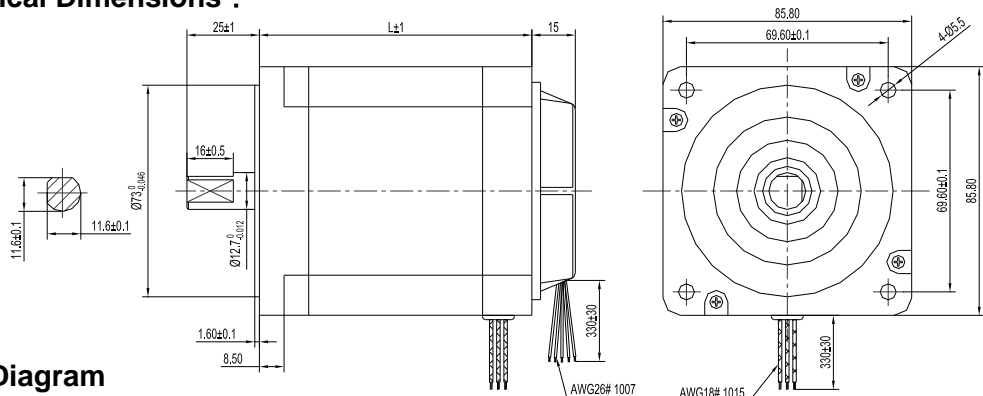
Winding connection	STAR
Sensor position	120°
Insulation Class	B
Ambient temperature	-20°C~+50°C
Insulation resistance	100MΩ Min.500V DC
Dielectric strength	500V AC 1minute



• **Electrical Specifications**

Model	SEI	86BLF57	86BLF67	86BLF81	86BLF94	86BLF109	86BLF124
	Factory	86BLF04	86BLF03	86BLF02	86BLF01	86BLF06	86BLF07
Nominal voltage	Vdc	48	48	48	48	48	48
Rated speed	RPM	3000	3000	3000	3000	3000	3000
Rated Torque	N.m	0.35	0.7	1.05	1.4	1.8	2.1
Rated Current	Amps	3.9	6.6	9.6	14	18	22
Output Power	Watts	110	220	330	440	550	660
Peak Torque	N.m	1.05	2.1	3.2	4.2	5.4	6.3
Peak Current	Amps	10.8	19.8	29	38	46	55
Torque constant	N.m/A	0.11	0.112	0.115	0.115	0.115	0.116
Back EMF	V/krpm	11.5	11.8	12	12	12	12.2
Rotor inertia	g·cm ²	350	650	950	1250	1550	1850
Body Length(L)	mm	57	67	81	94	109	124
Mass	Kg	1.1	1.75	2.2	2.75	3.2	4.8
Number of Poles & Phases	8 poles / 3 phases						

• **Mechanical Dimensions :**



• **Wiring Diagram**

