

39ZYT-30WJ3N WORM GEAR DC MOTOR

● **SPECIFICATIONS (GEAR RATIO = 65:1)**

39ZYT072-24-61: 24VDC, 6100RPM MOTOR WITH 65:1 WORM GEAR HEAD Y[IN-LB]=8.85075*X[NM]

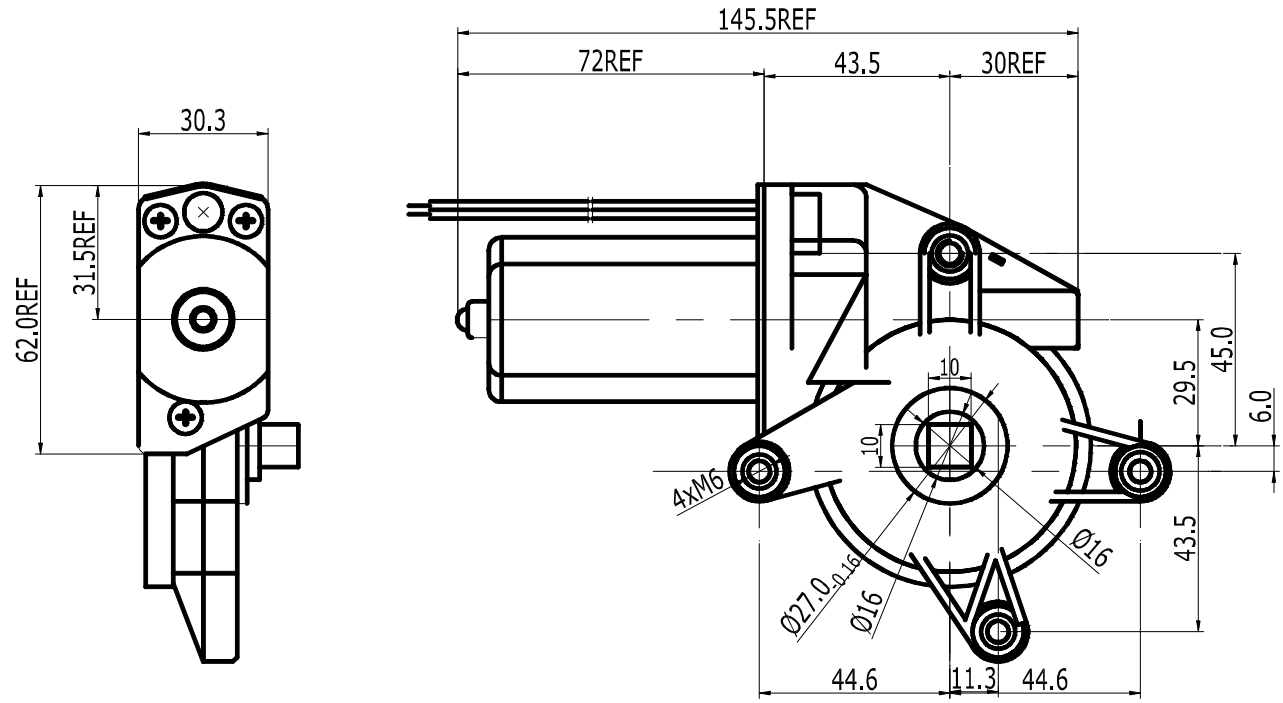
No load		AT MAX. EFFICIENCY 31%		AT STALL		AT MAX. OUTPUT POWER	
		TORQUE	1.8 N.m	TORQUE	8.8 N.m	TORQUE	4.2 N.m
SPEED	94 RPM	SPEED	84 RPM			SPEED	54 RPM
CURRENT	0.46 Amp	CURRENT	1.94 Amp	CURRENT	7.78 Amp	CURRENT	3.9 Amp
		POWER	16 W			POWER	23.9 W

39ZYT072-12-57: 12VDC, 5720RPM MOTOR WITH 65:1 WORM GEAR HEAD

Y[IN-LB]=8.85075*X[NM]

No load		AT MAX. EFFICIENCY 27%		AT STALL		AT MAX. OUTPUT POWER	
		TORQUE	2.2 N.m	TORQUE	9.25 N.m	TORQUE	5.6 N.m
SPEED	88 RPM	SPEED	74 RPM			SPEED	47 RPM
CURRENT	1.30 Amp	CURRENT	5.0 Amp	CURRENT	34 Amp	CURRENT	11.2 Amp
		POWER	17 W			POWER	27.6 W

● **DIMENSIONS**



● **Product Code for Worm Gear Reducer**

