

**52ZYT-31WJ4N WORM GEAR DC MOTOR**

**SPECIFICATIONS**

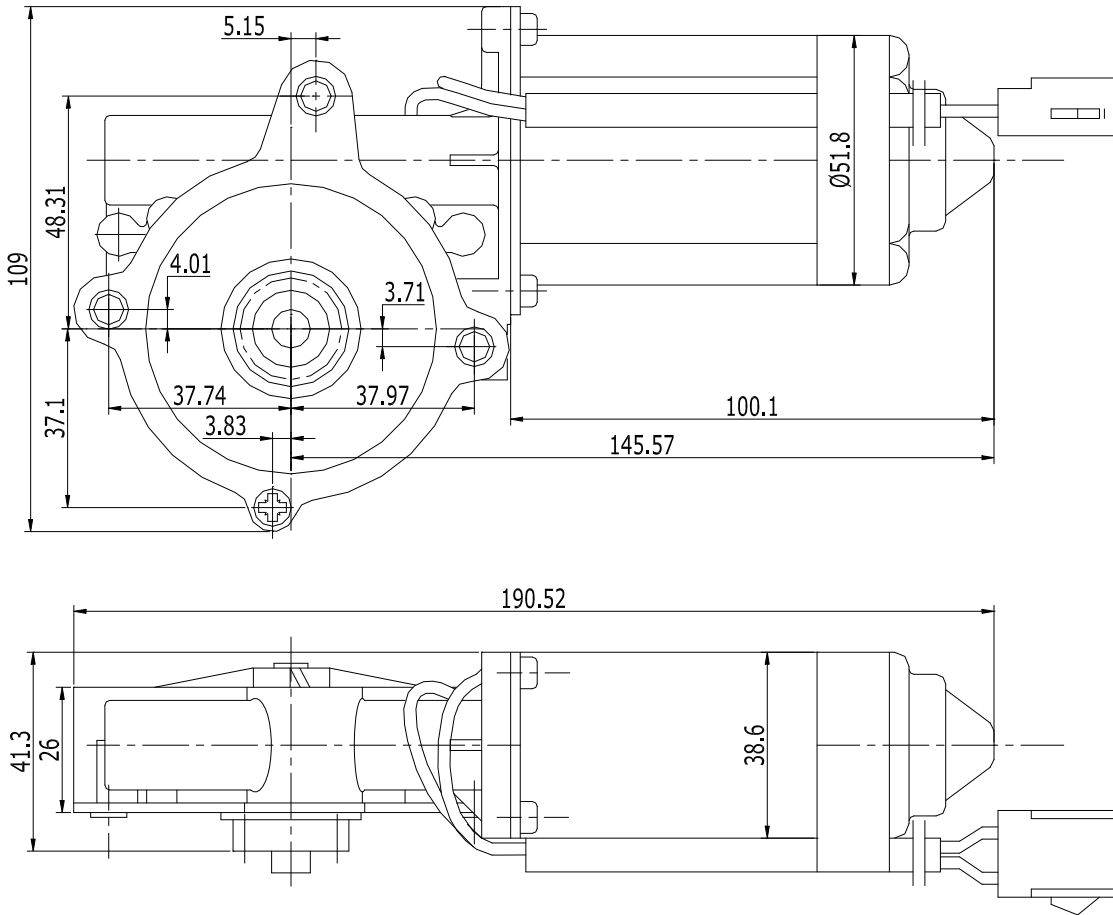
**52ZYT100-13-56: 13.5VDC, 5640RPM MOTOR WITH 62:1 WORM GEAR HEAD** Y[IN-LB]=8.85075\*X[NM]

AT NO LOAD		AT MAX. EFFICIENCY		AT MAX. TORQUE		AT MAX. OUTPUT POWER	
		TORQUE	2.28 N.m	TORQUE	11.99 N.m	TORQUE	6.40 N.m
SPEED	91 RPM	SPEED	74 RPM	SPEED	2.0 RPM	SPEED	44 RPM
CURRENT	1.27 Amp	CURRENT	5.41 Amp	CURRENT	23.13 Amp	CURRENT	12.93 Amp
		POWER	17 W	POWER	2.51 W	POWER	29.49 W

**52ZYT100-24-58: 24VDC, 5830RPM MOTOR WITH 62:1 WORM GEAR HEAD** Y[IN-LB]=8.85075\*X[NM]

AT NO LOAD		AT MAX. EFFICIENCY		AT MAX. TORQUE		AT MAX. OUTPUT POWER	
		TORQUE	2.45 N.m	TORQUE	13 N.m	TORQUE	6.8 N.m
SPEED	94 RPM	SPEED	72 RPM	SPEED	2.0 RPM	SPEED	44 RPM
CURRENT	0.48 Amp	CURRENT	3.10 Amp	CURRENT	13.5 Amp	CURRENT	7.4 Amp
		POWER	19W	POWER	2.6 W	POWER	31 W

**DIMENSIONS**



**Product Code for Worm Gear Reducer**

