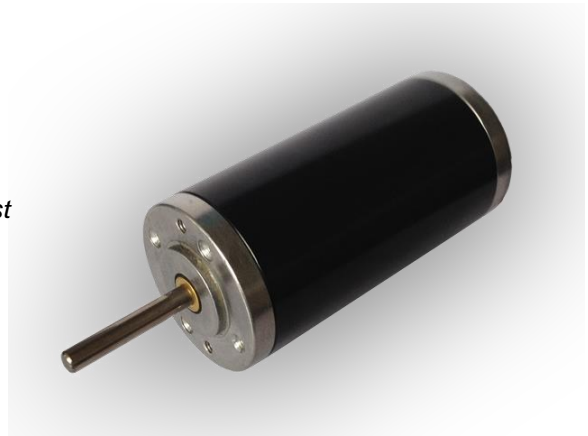
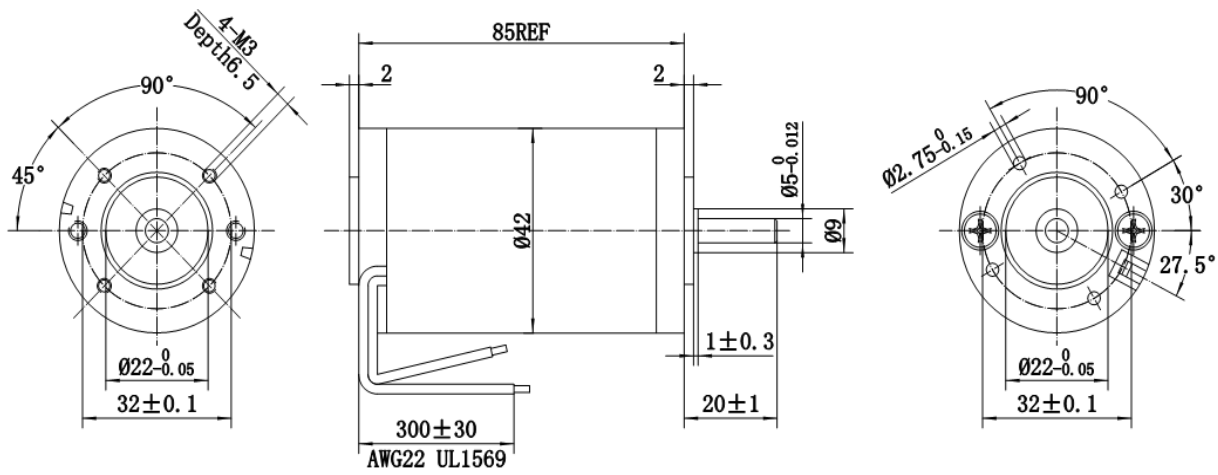


42ZYT85 20W

- Magnet Type: Ferrite
- Leads wire length: 300mm (standard)
- Special windings available on request
- Different shaft lengths or shaft on both sides available on request
- Insulation class : B (standard), higher class available on request
- Protection class: IP 50, higher class available on request
- Bearings: Ball bearing, sleeve bearing available on request

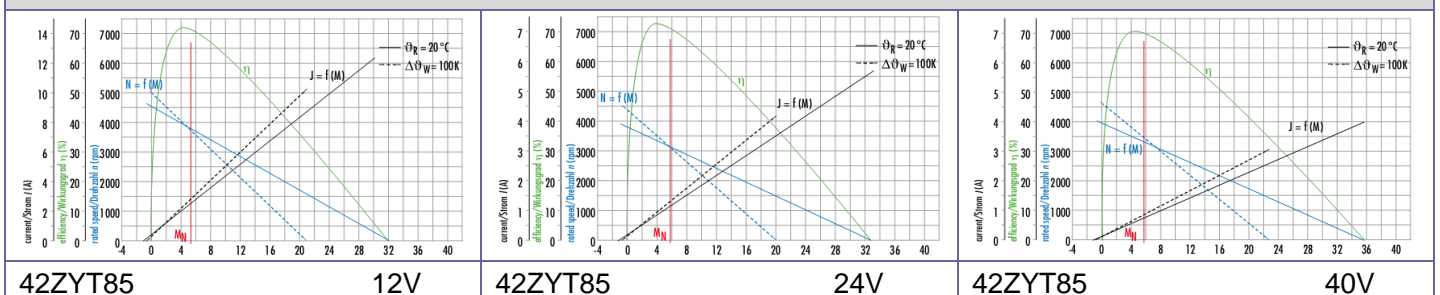


Dimensions in mm



Model		42ZYT70		
Rated voltage	VDC	12	24	40
Continuous rated speed	rpm	3750	3100	3400
Continuous rated torque	Ncm	5.3	5.7	5.7
Continuous current	A	2.7	1.2	0.8
Starting torque	Ncm	32	33	36
Starting current	A	13.2	5.68	3.97
No load speed	rpn	4550	3800	3970
No load current	A	0.44	0.18	0.12
Demagnetization current	A	24	10.5	6.3
Rotor inertia	Gcm ²	110	110	110
Weight of motor	g	490	490	490

Characteristic diagram



42ZYT85

12V

42ZYT85

24V

42ZYT85

40V