

80ZYT / 52WJ20N WORM GEAR DC MOTOR

- **WORM GEAR REDUCER SPECIFICATIONS**
Reduction Ratio: 59:1 standard; 10, 15, 26, 36, 50 Optional.

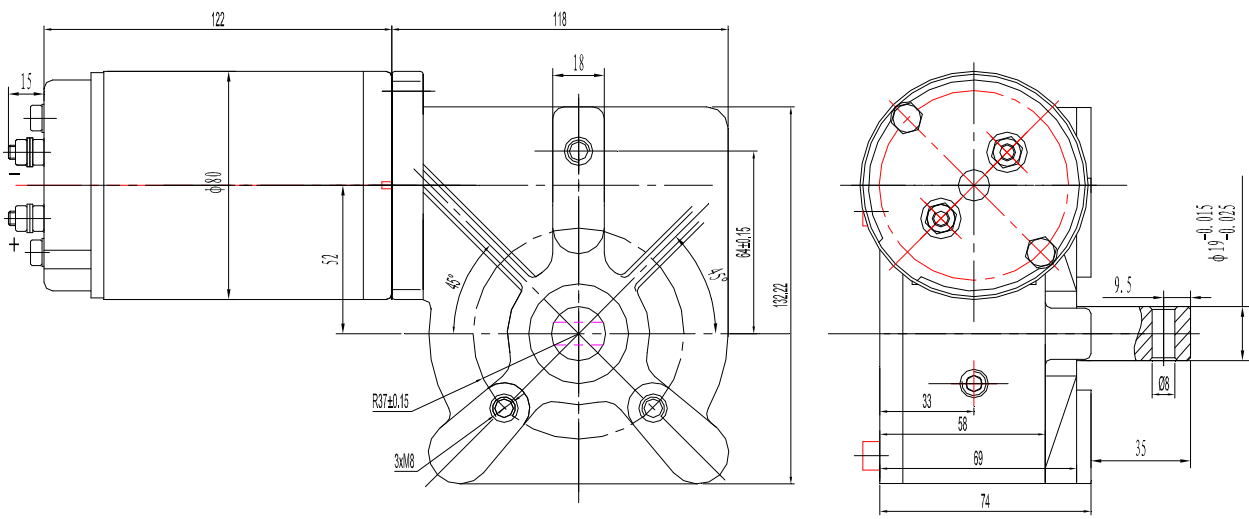
- **PM DC MOTOR SPECIFICATIONS**

Model	Rated Voltage	No Load		Rated(额定)						Motor Length
		Speed	Current	Speed	Current	Torque		Power	Eff.	
						RPM	Amp			
80ZYT122-12-33	12	3300	2.1	2700	12	38	268	76	52.7	122
80ZYT122-24-49	24	4900	2.5	4000	17.5	38	268	112	53.5	122
80ZYT122-24-52	24	5200	1.5	4600	10	38	268	129	53.9	122

- **WORM GEARMOTOR SPECIFICATIONS:** $Y[in-lb]=8.85075 \times X[Nm]$

Motor Model	Reduction Ratio	10	15	26	36	50	75
		Efficiency %	80	76	73	70	57
80ZYT122-12-33	No-load speed (RPM)	330	220	138	87	66.0	44.0
	Rated speed (RPM)	270	180	113	71	54.0	36.0
	Rated load (Nm)	2.1	3.1	4.7	7.1	7.6	10.7
80ZYT122-12-49	No-load speed (RPM)	490	327	204	129	98.0	65.3
	Rated speed (RPM)	400	267	167	105	80.0	53.3
	Rated load (Nm)	2.1	3.1	4.7	7.1	7.6	10.7
80ZYT122-24-52	No-load speed (RPM)	520	347	217	137	104	69.0
	Rated speed (RPM)	460	307	192	121	92.0	61.3
	Rated load (Nm)	2.1	3.1	4.7	7.1	7.6	10.7

● **DIMENSIONS**



- **Product Code for Worm Gear Reducer**

52	-	WJ	-	20	-	N	-	59G
Size		Gearhead Type		Max. Load		Torque Unit		Gear Ratio
Center Distance		WJ= WORM		20 = 20 Unit		N = N.m		59= 59:1