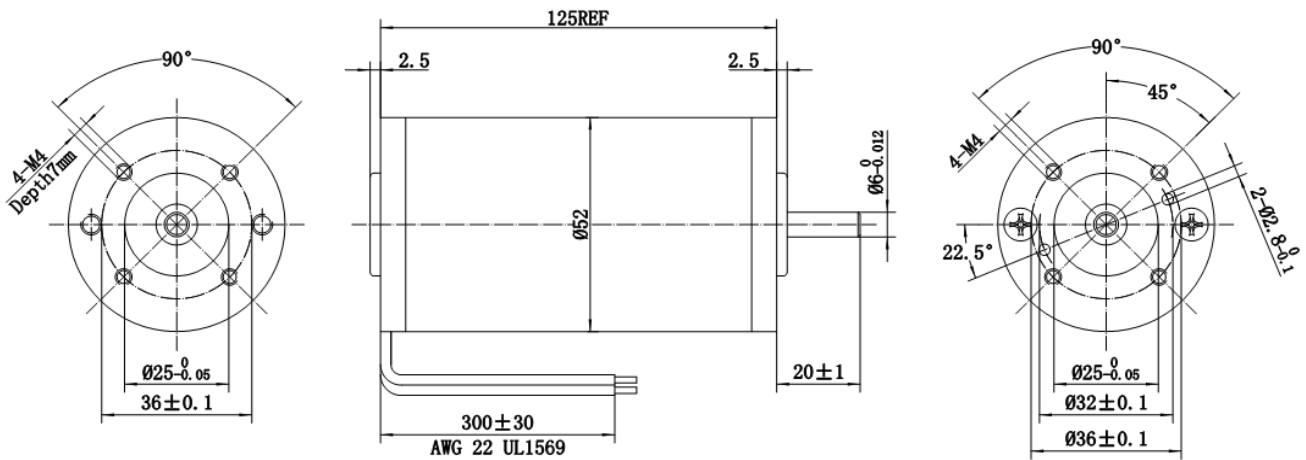


# 52ZYT125 60W

- Magnet Type: Ferrite
- Leads wire length: 300mm (standard)
- Special windings available on request
- Different shaft lengths or shaft on both sides available on request
- Insulation class : B (standard), higher class available on request
- Protection class: IP 50, higher class available on request
- Bearings: Ball bearing, sleeve bearing available on request



## Dimensions in mm



Model		52ZYT95			
Rated voltage	VDC	12	24	40	60
Continuous rated speed	rpm	3000	3000	3000	3000
Continuous rated torque	Ncm	15.5	17	17	17
Continuous current	A	5.5	2.9	1.9	1.3
Starting torque	Ncm	114	143	139	144
Starting current	A	35.3	22.8	14.4	10.3
No load speed	rpm	3200	3250	3450	3600
No load current	A	0.44	0.2	0.14	0.1
Demagnetization current	A	61	31	20	13.5
Rotor inertia	Gcm <sup>2</sup>	460	460	460	460
Weight of motor	g	1160	1160	1160	1160

## Characteristic diagram

