

0.9° Size 23 High Torque High Resolution

- General Specification for Hybrid Step Motors

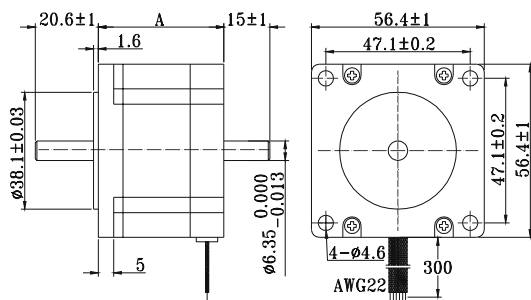
Item	Specifications
Step Angle Accuracy	± 5% (full step, no load)
Resistance Accuracy	± 10%
Inductance Accuracy	± 20%
Temperature Rise	80°C Max. (rated current, 2 phase on)
Ambient Temperature	- 10°C ~ +50°C
Insulation Resistance	100 MΩ Min., 500 VDC
Dielectric Strength	500 VAC for one minute
Shaft Radial Play	0.06 Max. (450 g-load)
Shaft Axial Play	0.08 Max. (450 g-load)



- Size 23 High Torque High Resolution Stepping Motor Specifications

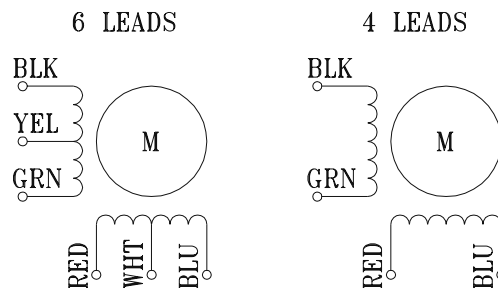
Model No.		Rated Voltage	Per Phase			Holding Torque		# of Leads	Rotor Inertia	Weight
Single Shaft	Double Shaft		Current	Resistance	Inductance	Oz-in	Kg-cm			
		V	A	Ω	MH			g-cm ²	Kg	
23H160HM-100-6A	23H160HM-100-6B	5.7	1	5.7	5.4	54	3.9	120	0.45	
23H160HM-200-6A	23H160HM-200-6B	2.8	2	1.4	1.4					
23H160HM-300-6A	23H160HM-300-6B	1.9	3	0.63	0.6					
23H160HM-280-4A	23H160HM-280-4B	2	2.8	0.7	1.4	75	5.5	4		
23H200HM-100-6A	23H200HM-100-6B	6.6	1	6.6	8.2	100	7.2	275	0.65	
23H200HM-200-6A	23H200HM-200-6B	3.3	2	1.65	2.2					
23H200HM-300-6A	23H200HM-300-6B	2.2	3	0.74	0.9					
23H200HM-280-4A	23H200HM-280-4B	2.3	2.8	0.83	2.2	140	10	4		
23H220HM-100-6A	23H220HM-100-6B	7.4	1	7.4	10	125	9	300	0.7	
23H220HM-200-6A	23H220HM-200-6B	3.6	2	1.8	2.5					
23H220HM-300-6A	23H220HM-300-6B	2.3	3	0.75	1.1					
23H220HM-280-4A	23H220HM-280-4B	2.5	2.8	0.9	2.5	175	12.5	4		
23H300HM-100-6A	23H300HM-100-6B	8.6	1	8.6	14	187	13.5	480	1	
23H300HM-200-6A	23H300HM-200-6B	4.5	2	2.25	3.6					
23H300HM-300-6A	23H300HM-300-6B	3	3	1	1.6					
23H300HM-280-4A	23H300HM-280-4B	3.2	2.8	1.13	3.6	262	18.9	4		

- Dimensions:



Model #	A	
	Inches	mm
23H160H(M)	1.6	41
23H200H(M)	2.0	51
23H220H(M)	2.2	56
23H300H(M)	3.0	76

- Wiring Diagram



- Motor modification options

Motor : Special length, Windings Bearings, & Threads

Shaft : Flat, Pinion, Keyway, Length

Lead wire: Type, Color, Length, Connector Installation